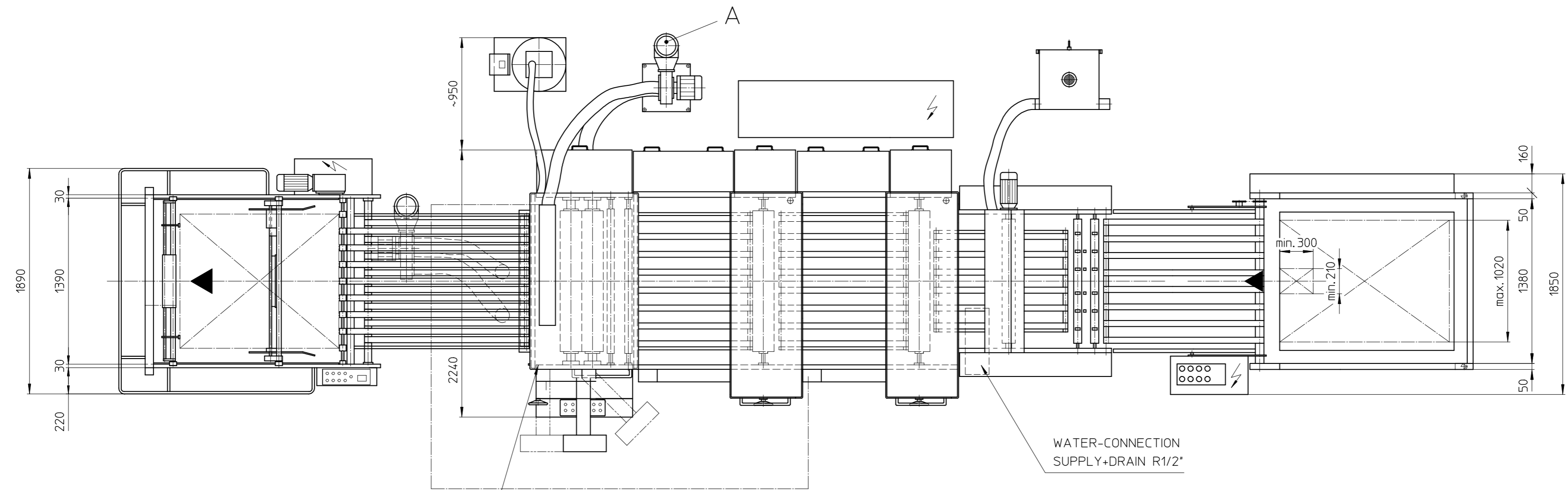
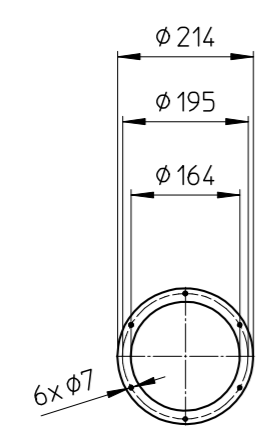


STACKER MIRUS      LAMINATING-STATION      SHEET CLEANER      SHEET CLEANER      SHEET ALIGNMENT      FEEDER MABEG



VIEW : A



COMPRESSED-AIR  
R1/2" 40m³/h 8bar

SHEET SIZES :  
min 210 x 300mm  
max 1020 x 1420mm

**LOTUS 102 SF**

KOMM.NR.: 304.754

Allg. Tol. für spanabhebende Bearbeitung DIN ISO 2768-mK  
general tolerances for machined parts DIN ISO 2768-mK  
Allg. Tol. bei Schweisskonstruktionen DIN ISO 13920-AE  
general tolerances for welded parts DIN ISO 13920-AE

<input type="checkbox"/>	<input type="checkbox"/>	<input type="checkbox"/>	replaced by
<input type="checkbox"/>	<input type="checkbox"/>	<input type="checkbox"/>	replaces
item 1	LOTUS 102 SF	group	
item 1		family X	
item 2		scale	A1
material		designer	29.11.00 BOVIN
mach.type	G-	released	04.12.00 STURZ
STEINEMANN TECHNOLOGY AG CH-9015 St.Gallen		<b>steinemann</b>	0121512
			1/1